



Description

The Covers with Stroke limiter model **CVC*STS*** are designed to hold polyhydron make Cartridge valves model **CV***** in cavities machined as per ISO 7368 , and control opening and closing of the cartridge valve by electrical signal. Effective closing pressure is the pressure from either port 'X' or 'Z1', which ever is higher.

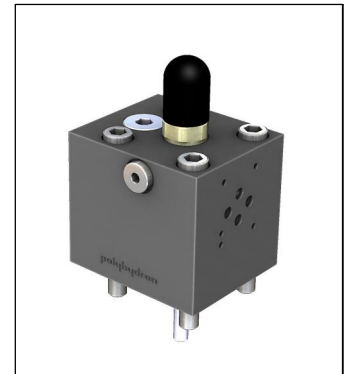
Cover has built-in seat type shuttle valve to select pressure for closure of the cartridge.

The flow passing through the cartridge can be controlled by controlling the opening of the poppet by means of a Stroke limiter screw provided in the cover . The throttling is effective in either directions. Clockwise rotation of the Stroke Throttle screw will decrease the flow passage, thereby decreasing the flow.

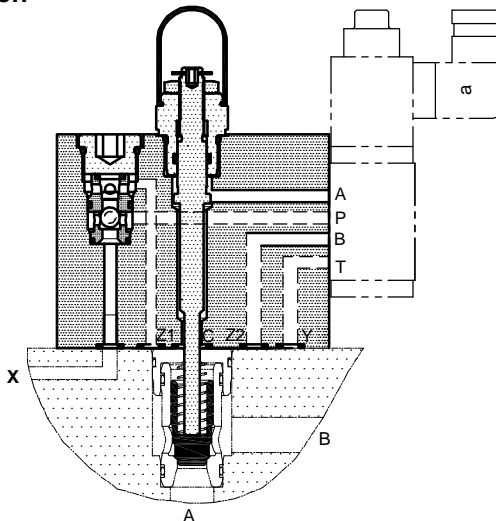
A check nut is provided to lock the Throttle Screw in its position.

A soft rubber cap prevents accidental damage to the Throttling Screw .

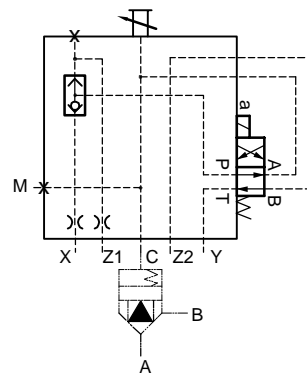
These Stroke limiters are more effective with cartridges having poppet with cushion nose.



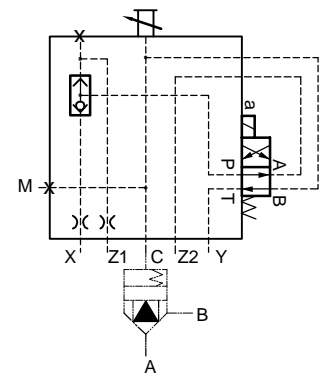
Section



Hydraulic symbol



Control on 'A'



Control on 'B'

Technical specifications

- Mounting interface : As per ISO 7368
- Working pressure : 350 bar.
- Hydraulic medium : Mineral oil.
- Temperature range : -20 to + 80°C.
- Viscosity range : 10 cSt to 380 cSt.
- Fluid cleanliness required : ISO 4406 20/18/15 or better.



Unit dimensions

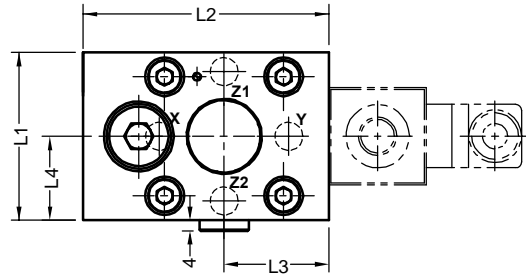
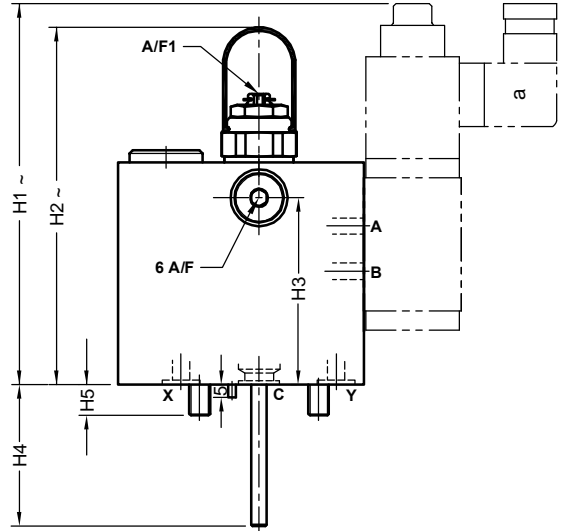
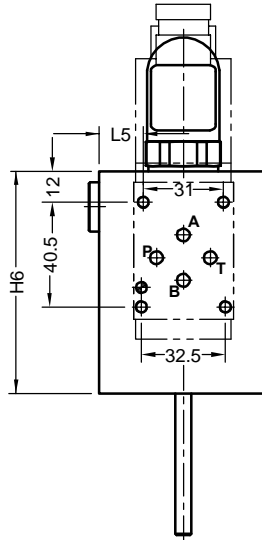
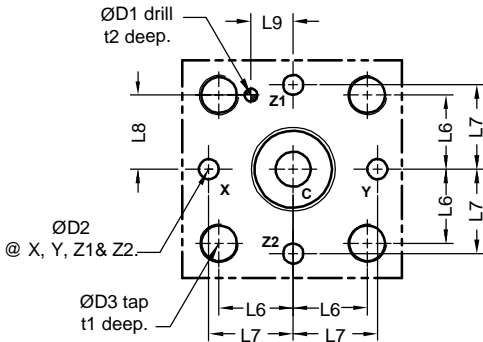
Dimensions in mm.



Notes:

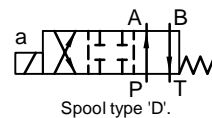
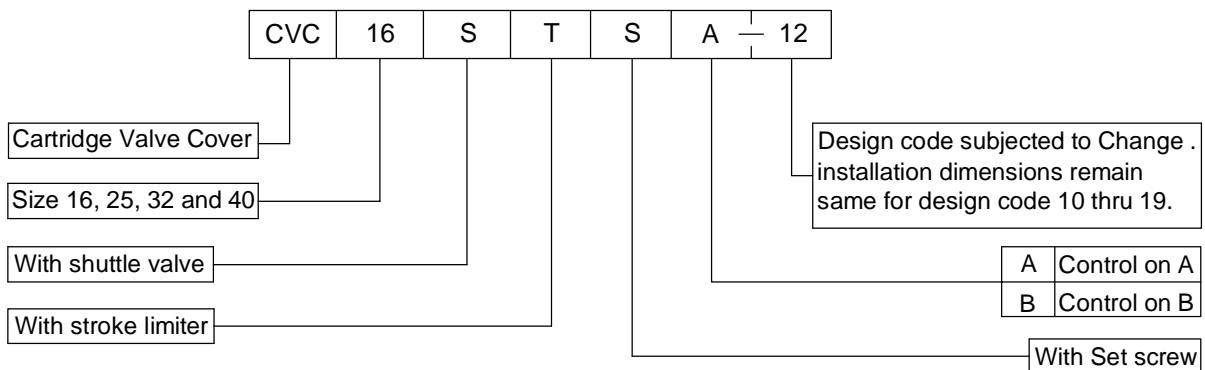
1. Cover fixing S.H.C Screws are **OUT OF SCOPE OF SUPPLY.**
2. Mounting interface for Soln. D.C.V as per ISO 4401-03-02.

Cover mounting interface as per ISO 7368.



Size	Mass Kg. approx	L1	L2	L3	L4	L5	L6	L7	L8	L9	H1	H2	H3	H4	H5	H6	ØD1	ØD2 max	ØD3	t1	t2	A/F1	*M. 4 nos. Cover fixing S.H.C. Screw (Class 12.9)	Tightening Torque.
16	4.0	65	95	40.5	32.5	17	23	25	23	10.5	156	138	74	35.2	12	86	4	4	M8	14	10	4	M8 x 90 Long	39 Nm
25	6.0	85	100	42.5	42.5	26	29	33	29	16	160	145	78	53	18	90	6	6	M12	20	10	4	M12 x 100 Long	135 Nm
32	7.7	102	107	53.5	51	31.5	35	41	35	17	160	156	78	59	24	90	6	8	M16	26	10	8	M16 x 100 Long	330 Nm
40	11	125	125	62.5	62.5	37.5	42.5	50	42.5	23	160	156	78	66	30	90	6	10	M20	33	10	8	M20 x 100 Long	650 Nm

Ordering code



Note : Solenoid (refer spool type) to be ordered separately.