



A Polyhydron Group Company

**SOLENOID OPERATED  
DIRECTION CONTROL VALVE**  
Model : DE06\*\*\*\*07  
(CETOP 03)

Ref. No. D 09321  
Release 01 / 2026

ENGINEERING - 1 of 4

**Description**

Direct solenoid operated, spool type directional control valve with completely encapsulated mechanism for protection against dirt. Five chamber design for better reduction in dynamic force and longer valve life.

Valve mounting interface confirms to ISO 4401-03-02.

Mounting style - Subplate body. Available as spring centred, spring off-set or detented model.

All spool and bodies are interchangeable, simplifying maintenance.

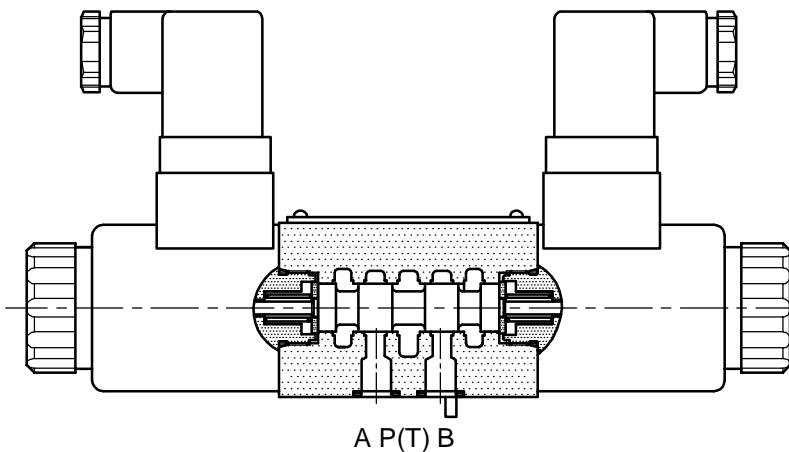
Wet pin DC solenoid ensure better heat dissipation, quieter operation, there by increasing solenoid life.

Moulded solenoid coil eliminate moisture problem and ingress of dust.

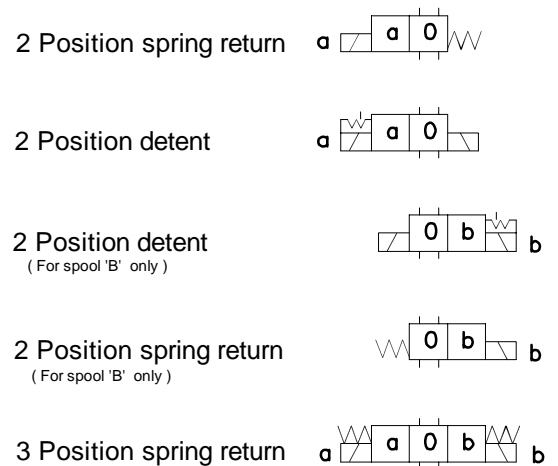
Plug-in-coil for ease of maintenance. Indicator light are a standard feature.



**Section**



**Hydraulic symbol**



**Technical specifications**

**Electrical :**

D.C. Voltage	:	12V. and 24V.
A.C. Voltage	:	110 V. and 220V at 50Hz.
Power requirement	:	30W
Duty cycle	:	Continuous
Switching time ( ON)	:	40 ms
(OFF)	:	30ms
Max. ambient temperature	:	50°C
Max. coil temperature	:	100°C
Max. switching frequency	:	15000 / hour.
Protection	:	IP65.

**Note:** AC solenoid coil is basically a DC coil with built-in rectifier.

**polyhydron pvt. ltd.**

78-80, Machhe Industrial Estate,  
Machhe, Belgaum - 590 014. INDIA.

Phone : +91-(0)831- 2411001  
E-mail : sales@polyhydron.com  
Website : www.polyhydron.com

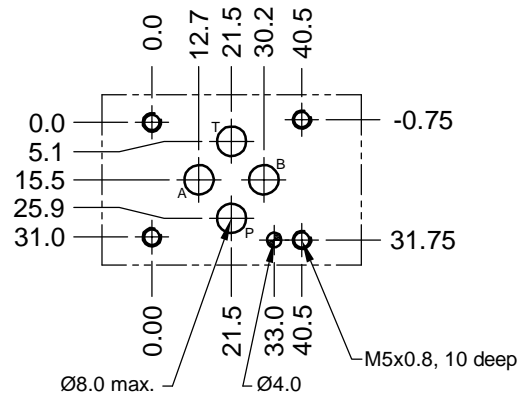
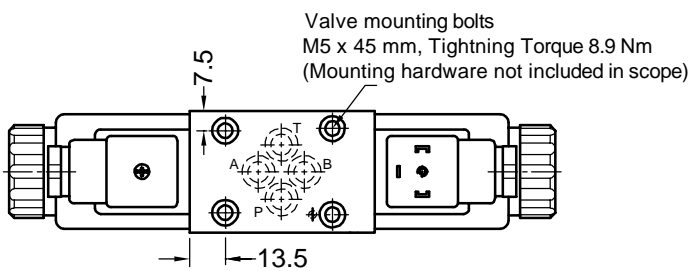
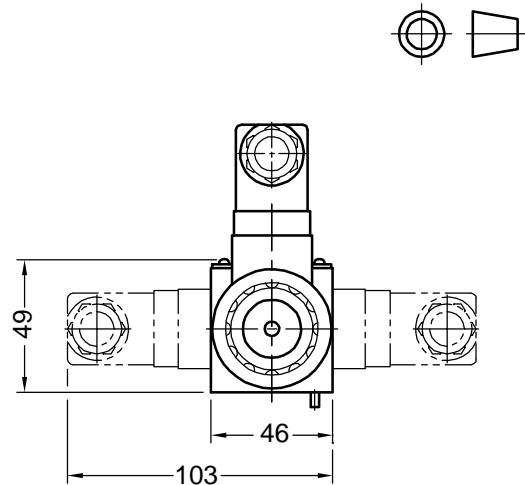
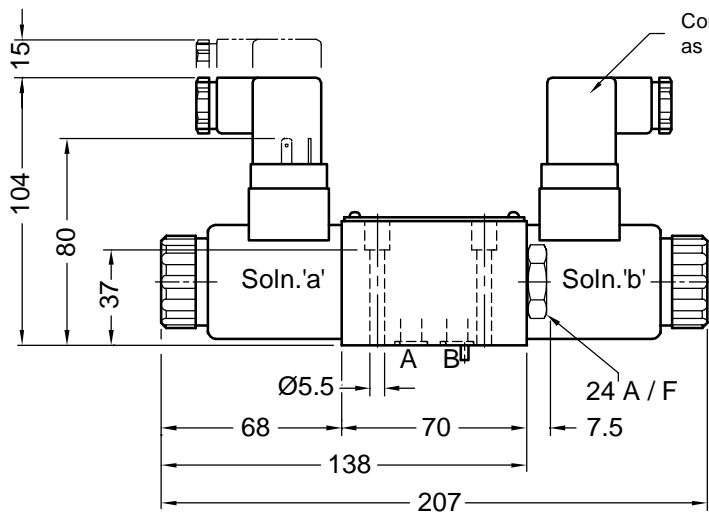


Hydraulic :

- Construction : Spool type.
- Mounting / Standard : Subplate body.  
Interface as per ISO 4401 - 03 - 02
- Mounting position : Optional, horizontal spool axis preferred.
- Flow direction : As per spool type .
- Maximum operating pressure : For port P, A, and B.....315 bar. ( Standarded valve )  
For port T.....100 bar.  
Pressure drop in the tank line adversely affect the returning speed of the cylinder, Hence must be kept as low as possible (For spool A & B type, port T to be used as drain line, if the operating pressure exceeds 150 bar.)
- Hydraulic medium : Mineral oil.
- Viscosity range : 10 cSt to 380 cSt.
- Fluid temperature range : -20°C to +80°C.
- Fluid cleanliness requirement : ISO 4406 20/18/15 or better.
- Nominal flow handling capacity : refer performance curve.
- Flow direction : Refer spool chart.
- Mass (approx) : valve with single solenoid - 1.2 kg.  
valve with Double solenoid - 1.8 kg.

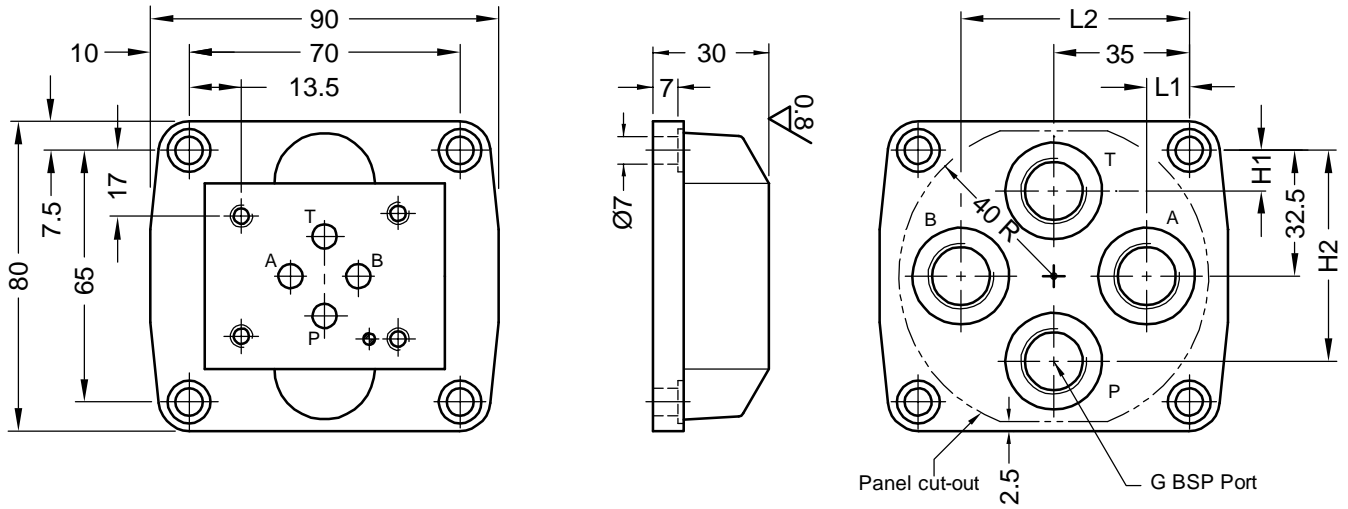
Unit dimensions

Dimensions in mm.





**Subplate**

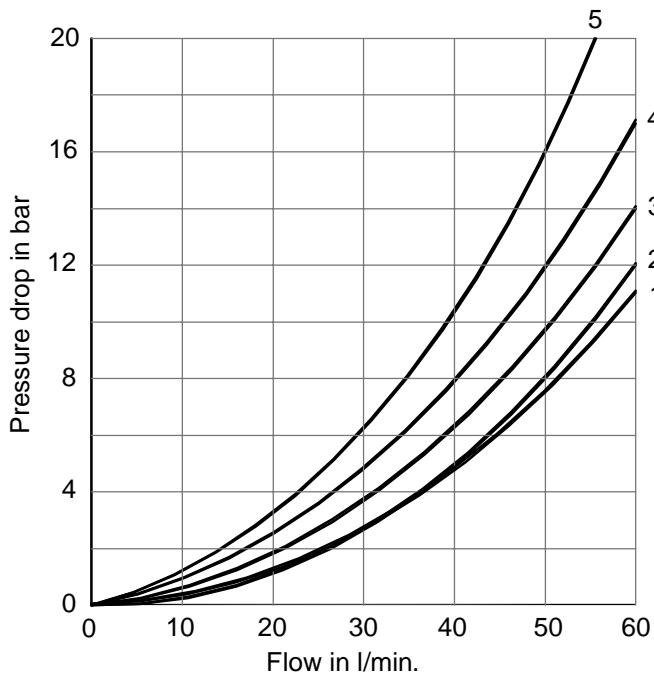


Port Size	L1	L2	H1	H2	Ordering Code
G 1/4	17	53	15.5	49.5	1 SD 03 G 02
G 3/8	11	59	10.5	54.5	1 SD 03 G 03

**Note :** Sub-plate to be ordered separately.

**Performance Curves for DE 06**

( Pressure drop related to flow, with Oil viscosity 46 cSt at 40°C )



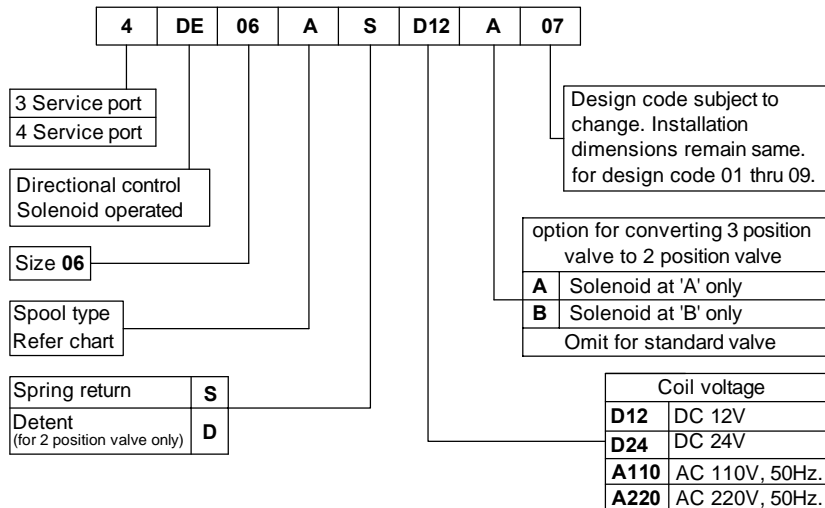
Spool type	Direction of flow / Curve no.				
	P to A	P to B	A to T	B to T	P to T
A	3	3	-	-	-
B	3	3	-	-	-
C	3	3	3	1	-
D	3	3	3	1	-
E	2	2	3	3	-
F	2	2	2	2	-
G	5	5	5	5	4
H	2	2	1	1	3
J	2	2	1	1	-
L	2	2	1	3	-
M	2	2	3	3	-
P	2	2	2	2	-



Spool Chart

Type	Symbol	Crossover	Type	Symbol	Crossover
	a 0 b A B P T	A B P T		a 0 b A B P T	A B P T
A			J		
B			L		
C			M		
D			P		
E			Q		
F			U		
G			V		
H					

Ordering code



**Note :**  
Ordering code for seal kit : 4DE06-SLKT.