



# DUEL PRESSURE RELIEF COVER, ELECTRICALLY SELECTABLE Model : CVC\*2RS\*\*\*

Ref. No. D 07032  
Release 11 / 2025

ENGINEERING - 1 of 2

A Polyhydron Group Company

## Description

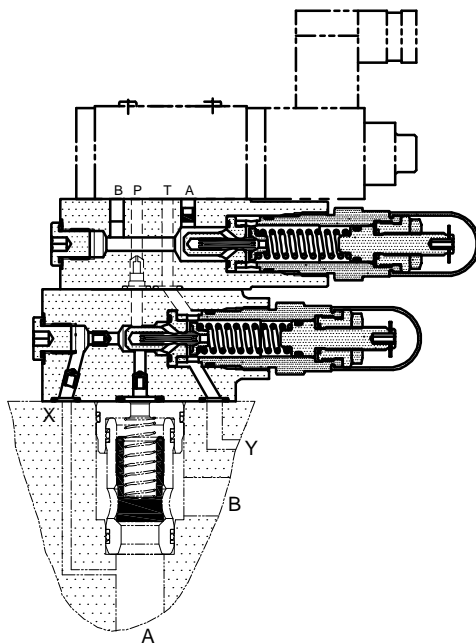
The Covers **CVC\*2RS** are designed to hold Polyhydron make 2 port slip-in cartridge valves model **CV\*\*\*** in the cavities machined as per ISO 7368, and are meant to provide duel pressure Pilot operated Relief function, using combination of a Slip-in Cartridge having a poppet ratio of 1:1, and two Relief valves, selectable by means of energizing a solenoid valve mounted on it.

Please note that difference in the pressure setting between the 1st Relief valve and the 2nd Relief valve (as marked in the circuits below) must be minimum 10 bar; 2nd Relief valve being set at lesser pressure of the two.

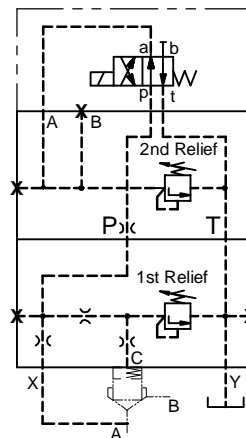
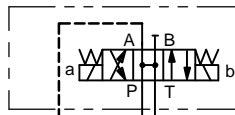
By using a Double solenoid valve as shown in the circuit, an additional unloading function can also be achieved by the cover.



## Section

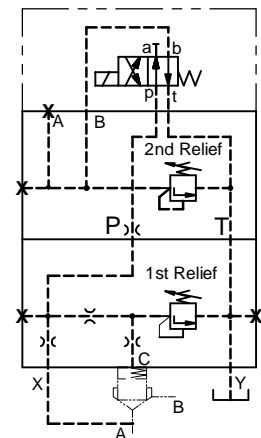


For unloading normal position



CVC\*2RSA\*\*\*

## Hydraulic symbol



CVC\*2RSB\*\*\*

## Technical specifications

Mounting interface	:	As per ISO 7368
Working pressure	:	350 bar.
Hydraulic medium	:	Mineral oil.
Temperature range	:	-20°C to + 80°C.
Viscosity range	:	10 cSt to 380 cSt.
Fluid cleanliness required	:	ISO 4406 20/18/15 or better.

**polyhydron pvt. ltd.**

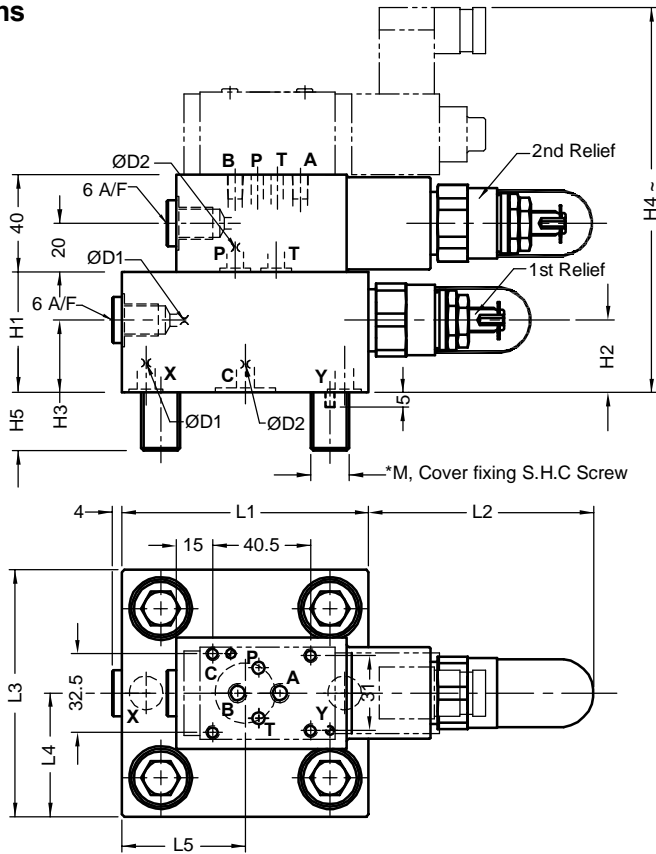
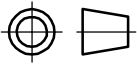
78-80, Machhe Industrial Estate,  
Machhe, Belgaum - 590 014. INDIA.

Phone : +91-(0)831- 2411001  
E-mail : sales@polyhydron.com  
Website : www.polyhydron.com

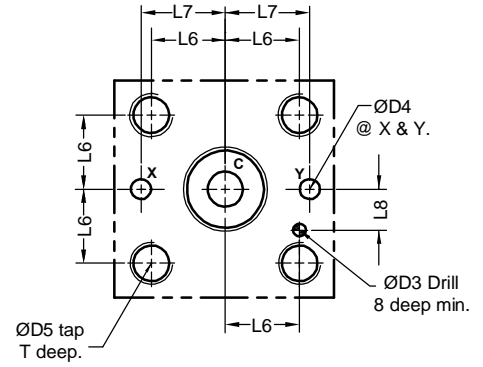


Unit dimensions

Dimensions in mm.



Cover mounting interface as per ISO 7368.

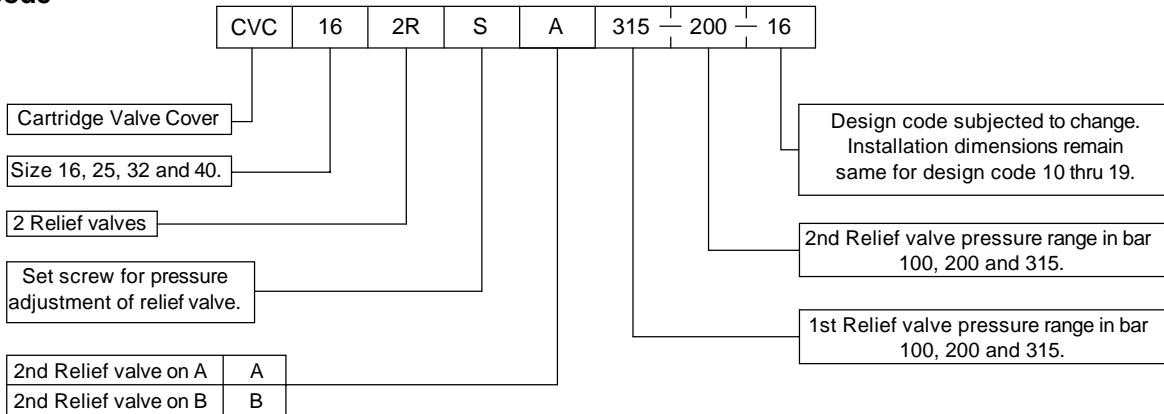


Notes:

- Cover fixing S.H.C Screws are **OUT OF SCOPE OF SUPPLY.**
- Mounting interface for Soln. D.C.V as per ISO 4401-03-02.

Size	Mass Kg. approx	L1	L2	L3	L4	L5	L6	L7	L8	ØD1	ØD2	ØD3	ØD4 max	ØD5	T	H1	H2	H3	H4	H5	*M. 4 nos. Cover fixing S.H.C. Screw (Class 12.9)	Tightening Torque.
16	3.7	67.5	114.5	65	32.5	33.5	23	25	10.5	0.8	1	4	4	M8	14	46	25	35	191	12	M8 x 40 Long	39 Nm
25	5.2	86	108.5	85	42.5	43.5	29	33	16	0.8	1	6	6	M12	20	50	28	28	195	18	M12 x 45 Long	135 Nm
32	6.2	102	93	102	51	51	35	41	17	1.2	1.2	6	8	M16	26	50	30	30	195	24	M16 x 55 Long	330 Nm
40	9.2	125	93.5	125	62.5	62.5	42.5	50	23	1.2	1.2	6	10	M20	33	60	30	49	205	30	M20 x 70 Long	650 Nm

Ordering code



Note : Solenoid (refer spool type) to be ordered separately.

