



**PRESSURE CONTROL MODULE**  
**PCM 20-06 and PCM 20-10**  
**Model : PCM20\*\*\*\*\***

Ref. No. D 06793  
 Release 01 / 2026  
 ENGINEERING - 1 of 4

**A Polyhydron Group Company**

**Description :**

Design to control double pumps of Hi-Low system.

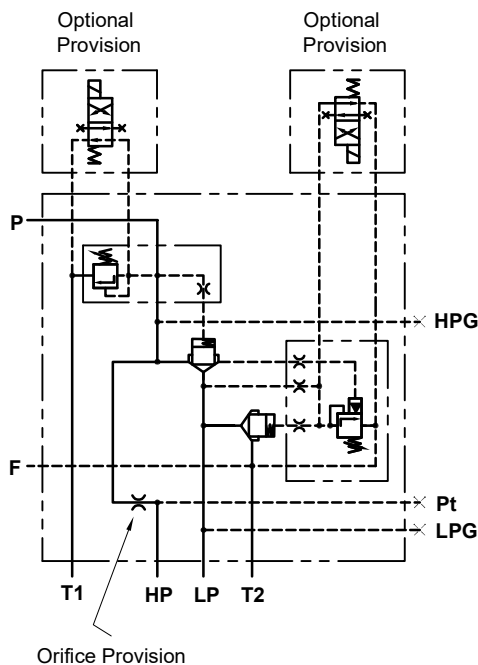
Unloads low pressure pump, when system pressure rises above the pressure set on Unloader valve.

Relieves high pressure pump, when system pressure reaches Relief valve set pressure.

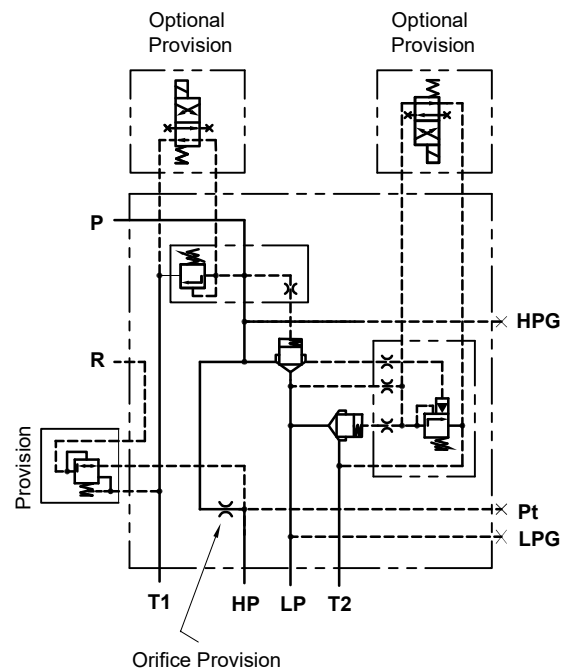
Solenoid unloading facility available as an option.



**Hydraulic symbol :**



PCM 20-06 and 20-10 with filter port, relief valve tank line combining T1 and T2 port.



PCM 20-06 and 20-10 with provision for mounting Pressure reducing valve DPM\*06\*A-01-\*

**Connection Details :**

HP	:	Inlet Port for high pressure pump
LP	:	Inlet Port for low pressure pump
P	:	Out-let port
HPG	:	Gauge port on high pressure pump line
LPG	:	Gauge port on low pressure pump line
Pt	:	Pilot pressure port (optional)
T1	:	Tank port of high Pressure Relief valve
T2	:	Tank port of low Pressure Unloading valve
F	:	Filter port connection optional (Combining T1 & T2)
R	:	Outlet Port (Reduced Pressure)

**polyhydron pvt. ltd.**

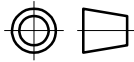
78-80, Machhe Industrial Estate,  
 Machhe, Belgaum - 590 014. INDIA.

Phone : +91-(0)831- 2411001  
 E-mail : sales@polyhydron.com  
 Website : www.polyhydron.com



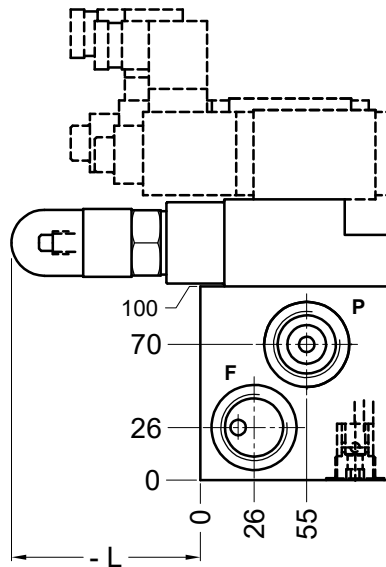
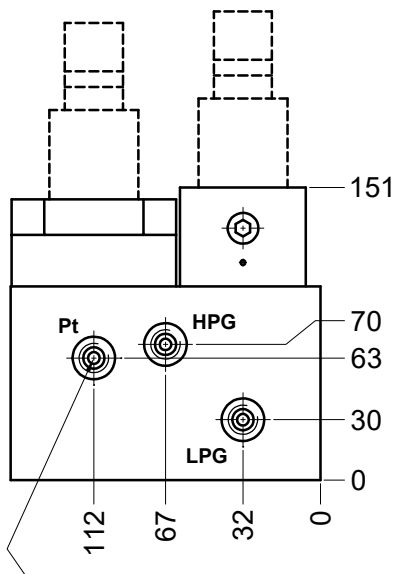
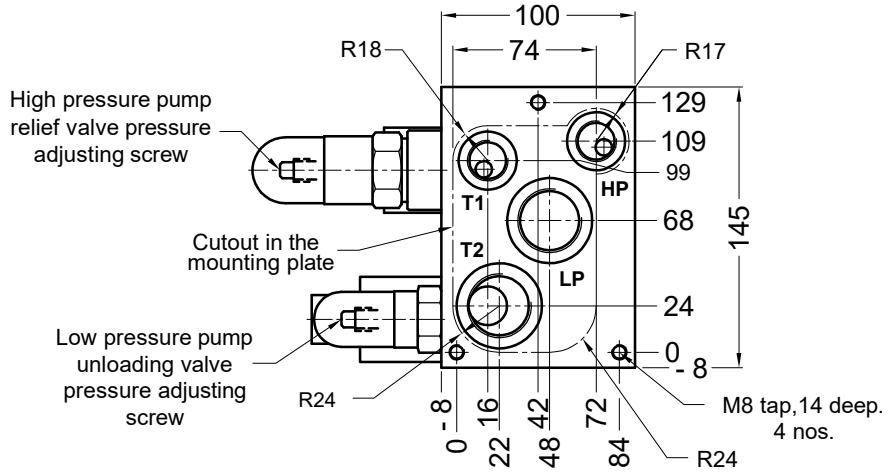
**Unit dimensions :**

Dimensions in mm.



**PCM 20-06 and PCM 20-10 with provision for filter port.**

Port details	
HP	-- G1/2
LP	-- G1
P	-- G1
Pt	-- G1/4
HPG	-- G1/4
LPG	-- G1/4
T1	-- G1/2
T2	-- G1
F	-- G1



Model	- L
PCM20/06	83
PCM20/10	98

Open this plug to insert orifice in high pr. line ( not fixed in the module unless specified ) orifice size 1/8" NPT

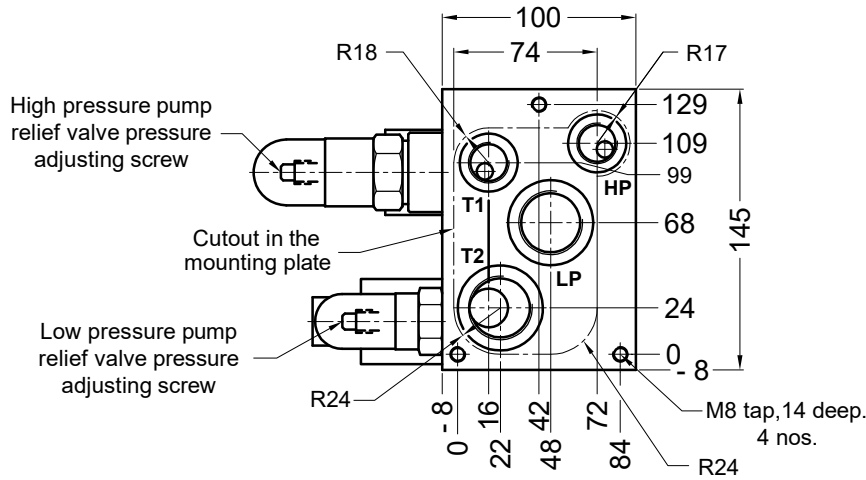
Solenoid valve for unloading low pr. pump by venting. ( Provision )

Solenoid valve for unloading high pr. pump by venting. ( Provision )

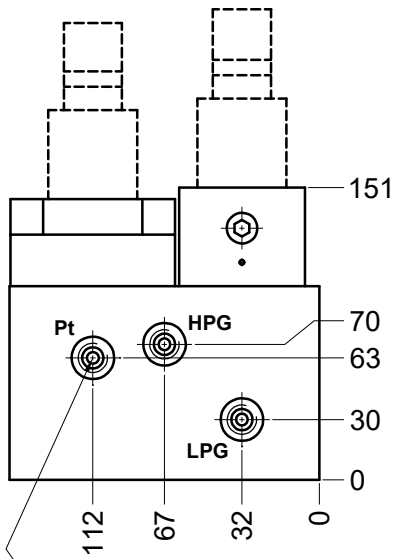
**Note :** Optional Solenoid to be ordered separately.



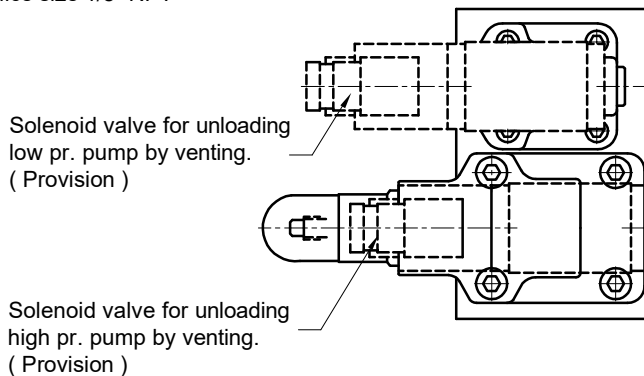
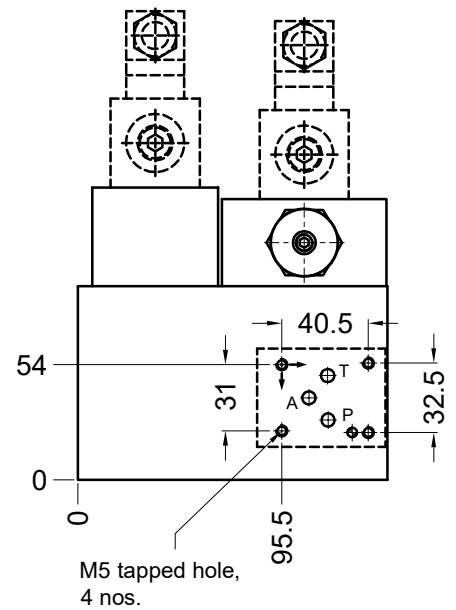
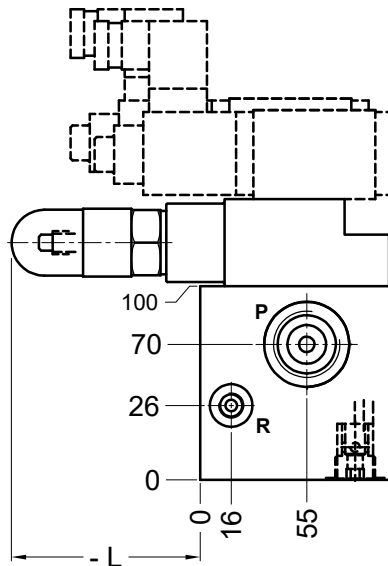
PCM 20/06 and PCM 20/10 with provision for mounting pressure reducing valve DPM\*06\*A-01\*



Port details	
HP	-- G1/2
LP	-- G1
P	-- G1
Pt	-- G1/4
HPG	-- G1/4
LPG	-- G1/4
T1	-- G1/2
T2	-- G1
R	-- G1/4



Open this plug to insert orifice in high pr. line ( not fixed in the module unless specified ) orifice size 1/8" NPT



Model	- L
PCM20/06	83
PCM20/10	98

**Note :** Optional Solenoid to be ordered separately.



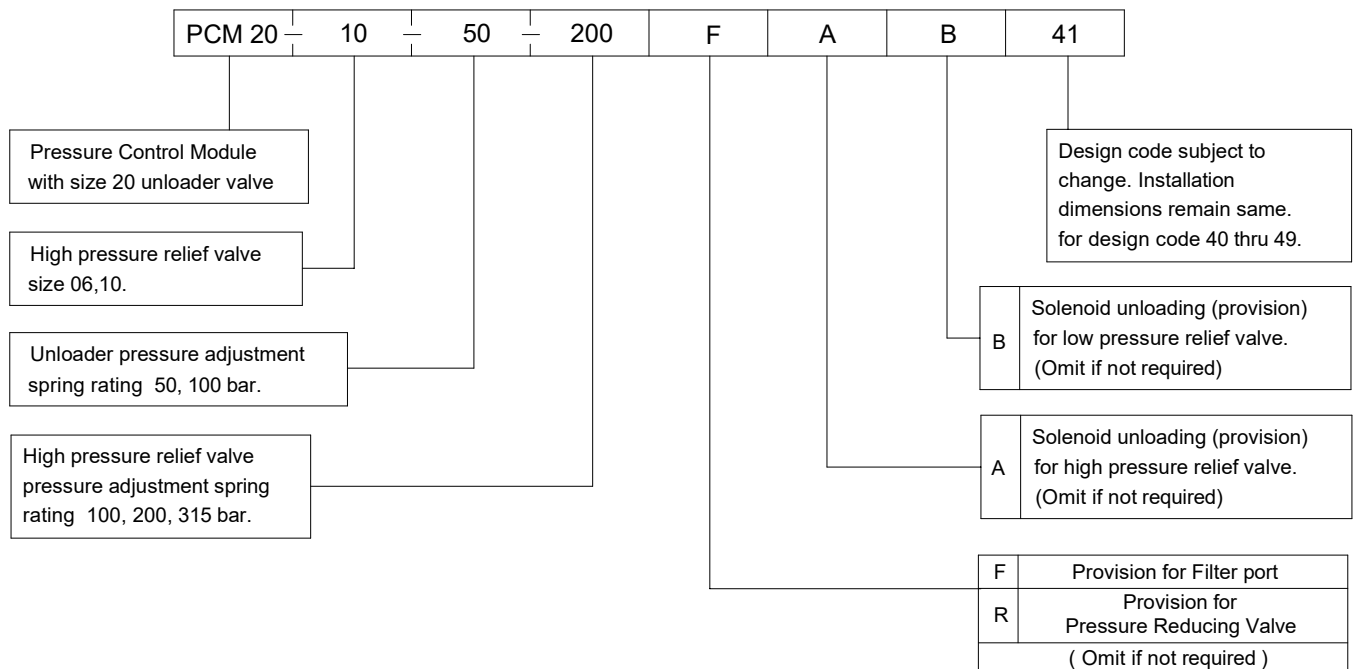
**Technical specifications :**

- Construction PCM 20-06 and 20-10 : Direct acting poppet type High Pr. Relief Valve  
Two stage poppet type low pressure unloading valve.
- Mounting : Threaded body (Factory standard).
- Mounting position : Optional.
- Flow direction : As per Hydraulic Symbol.
- Operating pressure : For Low pressure pump .....50 and 100 bar.  
For high pressure pump .....100, 200 and 315 bar.
- Hydraulic medium : Mineral oil.
- Viscosity range : 10 cSt to 380 cSt.
- Fluid temperature range : -20°C to +70°C.
- Fluid cleanliness requirement : ISO 4406 20/18/15 or better.
- Nominal flow handling capacity :

Model	High Pressure Max.	Low Pressure Max.
PCM 20-06	25 l/min	160 l/min
PCM 20-10	60 l/min	160 l/min

Mass : Approx 7.5 kg.

**Ordering code :**



Note : Solenoid (refer spool type) and Subplate to be ordered separately.

