



A Polyhydron Group Company

DIRECT ACTING PRESSURE REDUCING VALVE Model : DPM*06S***

Ref. No. D 04479
Release: 11 / 2025

ENGINEERING - 1 of 3

Description

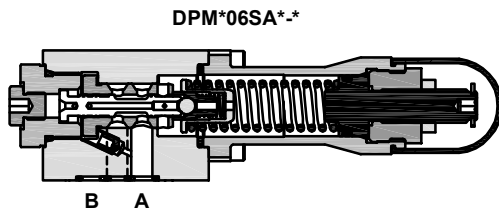
Direct acting, spooltype pressure reducing valve with control of pressure from either secondary circuit (Model DPM*06SA) or from a remote source (Model DPM*06SB).

Four pressure rating 25, 50, 100 and 200 bar with primary pressure rating to 315 bar.

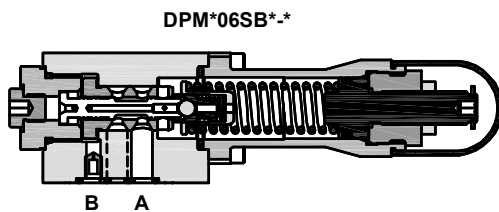
Pressure setting by screw of hand knob adjustment.



Section

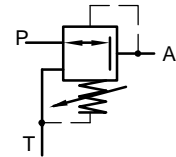


DPM*06SA*-*

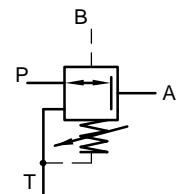


DPM*06SB*-*

Hydraulic symbol



DPMS06 SA



DPMS06 SB

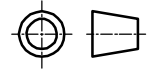
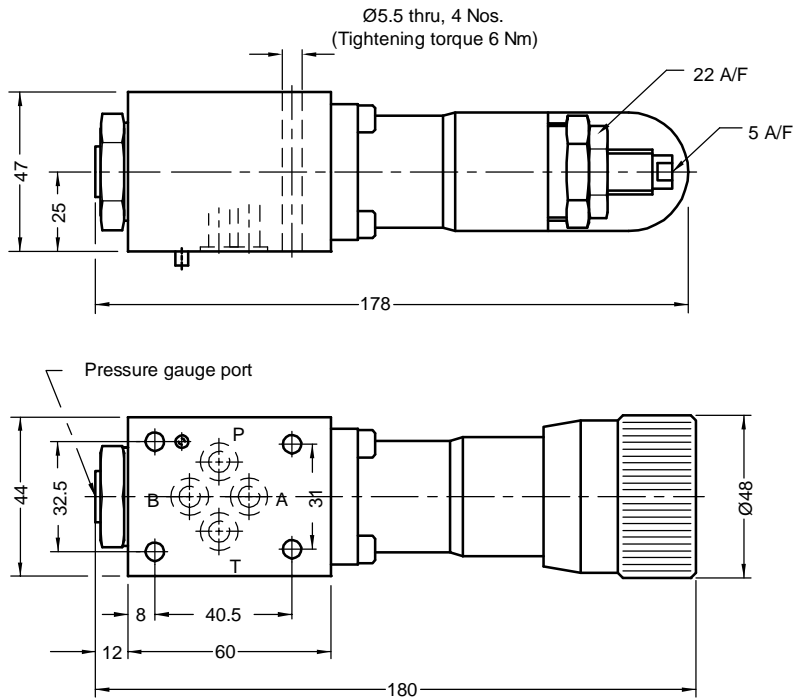
Technical specifications

Construction	:	Direct acting spool type.
Mounting style	:	Subplate mounting.
Mounting interface	:	Sub-plate mounting - As per ISO 6403.
Flow direction	:	Free flow from Port P to Port A.
Working pressure	:	For Port P.....315 bar. For Port A and Port B.....200 bar. For Port T.....60 bar (max).
Hydraulic medium	:	Mineral oil.
Temperature range	:	-20°C to + 80°C.
Viscosity range	:	10 cSt to 380 cSt.
Fluid cleanliness required	:	ISO 4406 20/18/15 or better.
Max. flow handling capacity	:	Refer graph
Mass approx.	:	1.54 Kg.

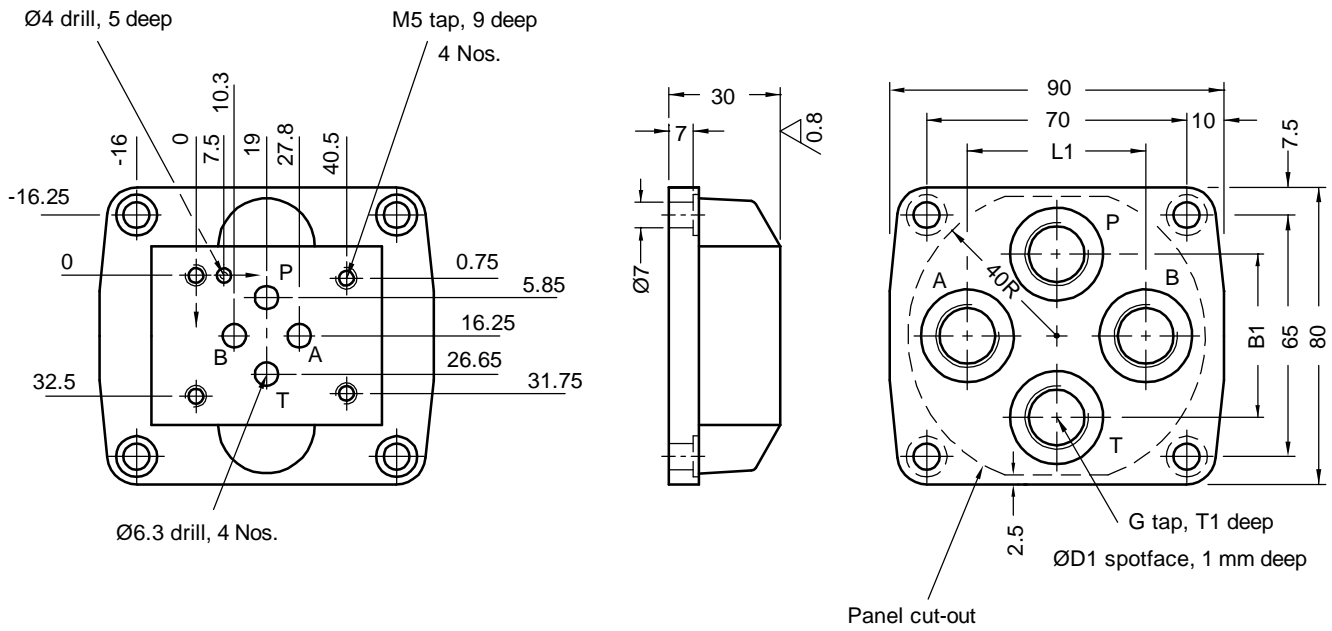


Unit dimensions

Dimensions in mm.



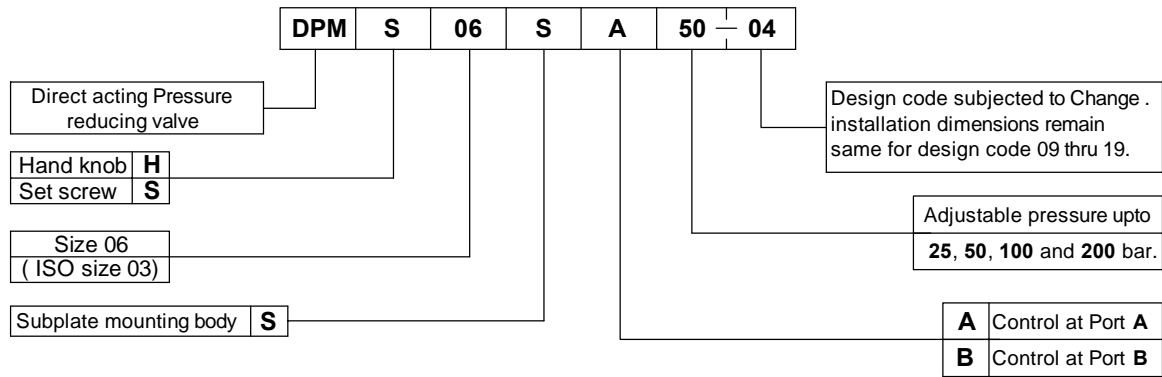
Valve mounting Sub plate



Subplate	B1	ØD1	G	L1	T1
1SD03G02	34	22	G1/4	36	12
1SD03G03	44	25	G3/8	48	12



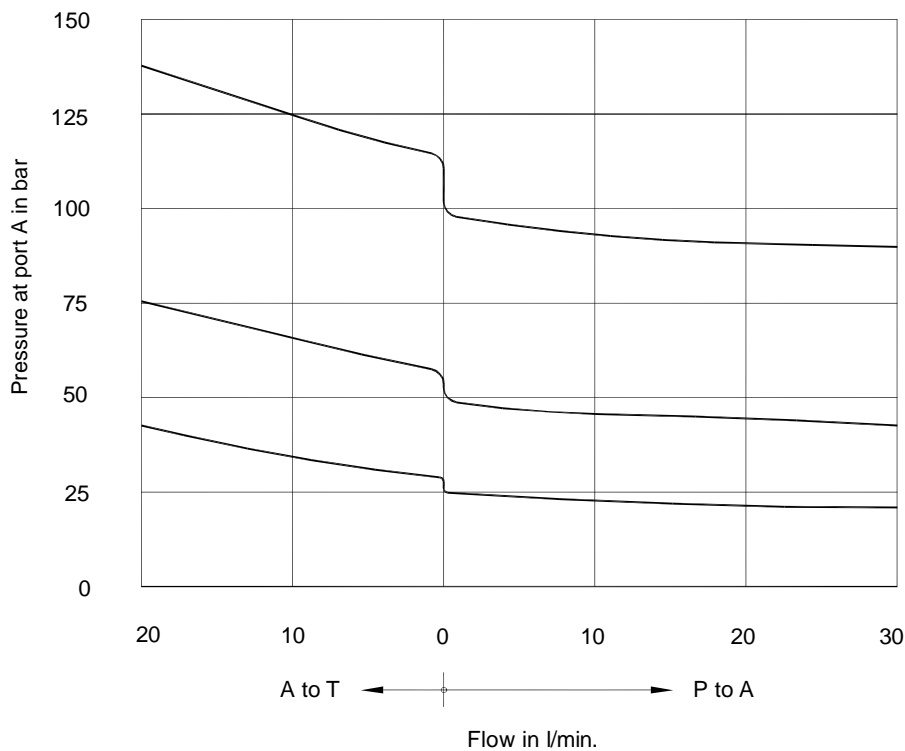
Ordering code



Note : Valve mounting subplate to be ordered seperately.

Performance graph

Oil used : ISO VG 68, Viscosity : 68 cSt at 40 °C, Test temperature : 52 - 55 °C.



All rights reserved.
Subject to change without prior notice.
Due to continuous improvement in the design of the product, the actual product supplied may look different than shown above.
For critical applications, please ask for certified installation drawing.