



RETURN LINE FILTER RF16 ** 13

Ref. No. D 04079
Release 01 / 2026

ENGINEERING - 1 of 2

A Polyhydron Group Company

Description

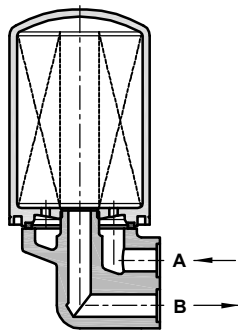
Sub-plate mounting style return line filter.

Paper element filtration media.

Spin on disposable canisters.

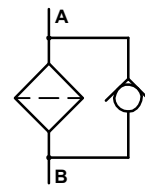


Section



Sub-plate type, with top mounted element

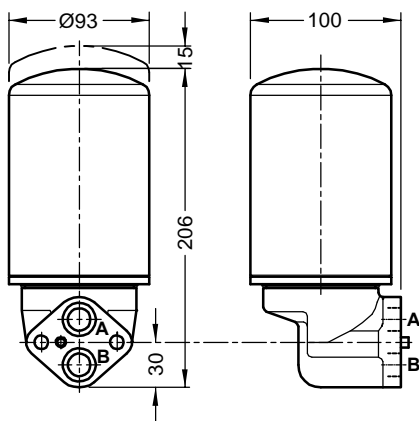
Hydraulic Symbol



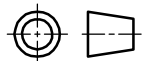
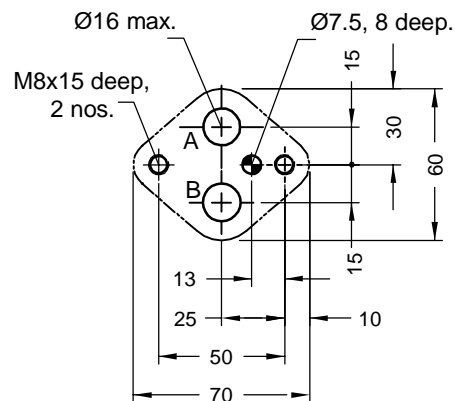
Unit dimensions

Dimensions in mm.

Sub-plate type, with top mounted element



Mounting interface

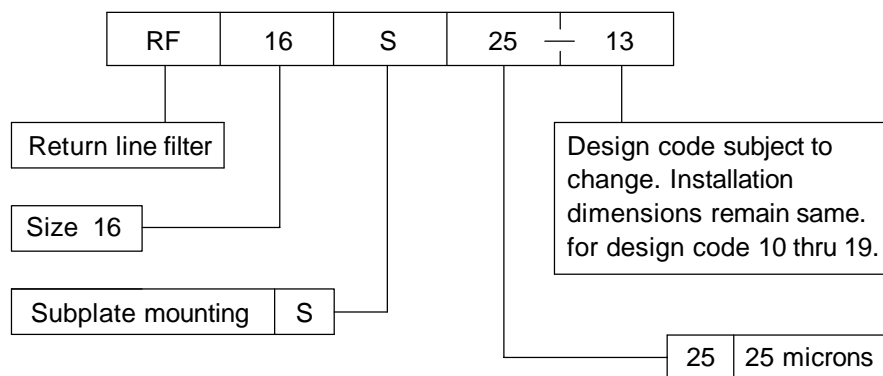




Technical specification

Hydraulic medium	-	Petroleum and mineral based oils only.
Mounting interface		Factory standard.
Mounting position	-	Vertical filter element axis preferred.
Flow direction	-	From port 'A' to port 'B'.
Maximum working pressure	-	7 bar.
Working temperature	-	-20° to +80°C.
Flow handling capacity	-	40 l/min. (nominal).
Filtration capacity - RF S25	-	25 Microns nominal.
Mass (approx)	-	1 kg.

Ordering code



Due to continuous improvement in the design of the product, the actual product supplied may look different than shown above.
For critical applications, please ask for certified installation drawing.