



**COVER WITH BUILT IN SHUTTLE VALVE
FOR FITTING DIRECTION CONTROL VALVE
Model : CVC*SDEA***

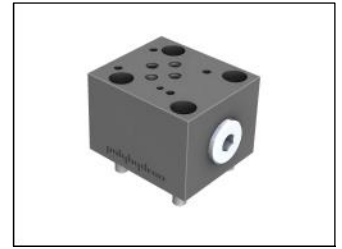
Ref. No. D 03495
Release 11 / 2025

ENGINEERING - 1 of 2

A Polyhydon Group Company

Description

The Covers **CVC*SDEAA** and **CVC*SDEAB** are designed to hold Polyhydon make 2 port slip-in cartridge valves model **CV***** in the cavities machined as per ISO 7368, with built in facility to control the operation of the cartridge valve as under,



Referring to the circuits shown below, the built-in Shuttle valve in the cover selects higher of the pilot pressures brought to the cover at its ports **X** and from either **A** (in case of cover model **CVC*SDEAA**) or **B** (in case of cover model **CVC*SDEAB**) to the control port **C** of the cartridge valve.

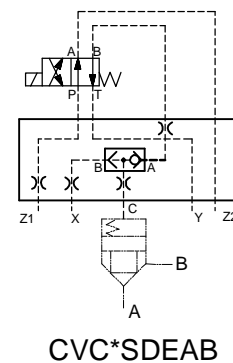
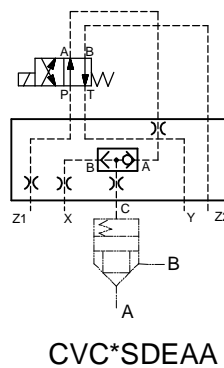
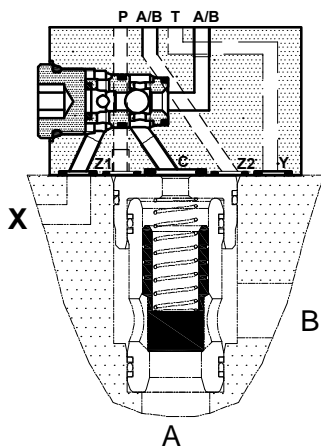
Thus, these configurations are very convenient in cartridge circuits when one wishes to use a Cartridge valve as a solenoid controlled leakage-free gate (leakage-free in the direction of the cartridge from port **B** to port **A**) . This can be achieved by connecting control port **X** to port **B** of the cartridge in manifold.

If done so , by using the cover model **CVC*SDEAA** , with solenoid in de-energized condition, one can achieve a function of free flow with check from its port **A** to port **B** . By energizing the solenoid , the passage in the cartridge (from port **A** to **B** or **B** to **A**) can be blocked.

By using the cover model **CVC*SDEAB**, with solenoid de-energizes condition, one can block the passage in the cartridge (from port **A** to **B** or **B** to **A**). By energizing the solenoid , free flow with check from its port **A** to port **B** can be achieved.

Section

Hydraulic symbol



Technical specifications

Mounting interface	:	As per ISO 7368
working pressure	:	350 bar.
Hydraulic medium	:	Mineral oil.
Temperature range	:	-20°C to + 80°C.
Viscosity range	:	10 cSt to 380 cSt.
Fluid cleanliness required	:	ISO 4406 20/18/15 or better.

polyhydon pvt. ltd.

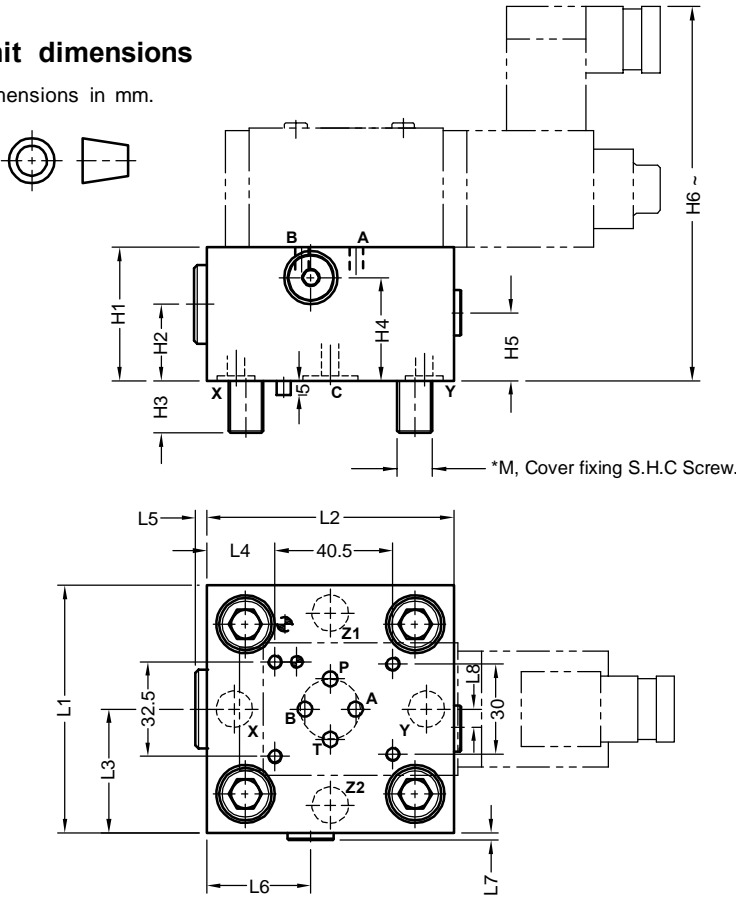
78-80, Machhe Industrial Estate,
Machhe, Belgaum - 590 014. INDIA.

Phone : +91-(0)831- 2411001
E-mail : sales@polyhydon.com
Website : www.polyhydon.com



Unit dimensions

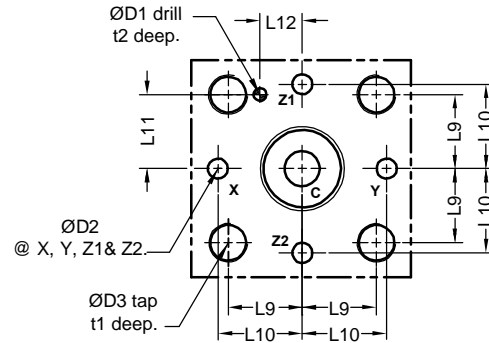
Dimensions in mm.



Notes:

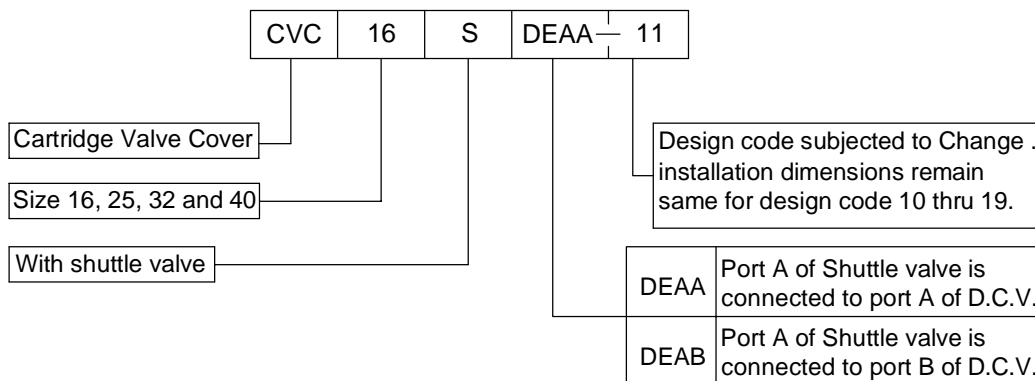
1. Cover fixing S.H.C Screws are **OUT OF SCOPE OF SUPPLY.**
2. Mounting interface for Soln. D.C.V as per ISO 4401-03-02.

Cover mounting interface as per ISO 7368.



Size	Mass Kg. approx	L1	L2	L3	L4	L5	L6	L7	L8	L9	L10	L11	L12	ØD1	ØD2 max	ØD3	t1	t2	H1	H2	H3	H4	H5	H6	*M. 4 nos. Cover fixing S.H.C. Screw (Class 12.9)	Tightening Torque.
16	2.3	65	75	32.5	26.2	4	---	---	---	23	25	23	10.5	4	4	M8	14	10	53	25	12	---	---	158	M8 x 40 Long	39 Nm
25	3.0	85	85	42.5	23.5	4	---	---	---	29	33	29	16	6	6	M12	20	10	50	25	18	---	---	150	M12 x 45 Long	135 Nm
32	4.7	102	102	51	32	0	43	3	8	35	41	35	17	6	8	M16	26	10	55	31	24	42.5	28	160	M16 x 55 Long	330 Nm
40	7.5	125	125	62.5	43.5	0	54	3	---	42.5	50	42.5	23	6	10	M20	33	10	60	35	30	48	---	165	M20 x 70 Long	650 Nm

Ordering code



Note : Solenoid (refer spool type) to be ordered separately.

