



**COVER WITH BUILT IN SHUTTLE VALVE
FOR FITTING DIRECTION CONTROL VALVE
Model : CVC*SDE**

Ref. No. D 03477
Release 11 / 2025

ENGINEERING - 1 of 2

A Polyhydon Group Company

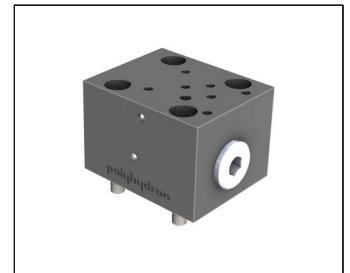
Description

The Covers **CVC*SDE** are designed to hold Polyhydon make 2 port slip-in cartridge valves model **CV***** in the cavities machined as per ISO 7368, with built in facility to control the operation of the cartridge valve as under,

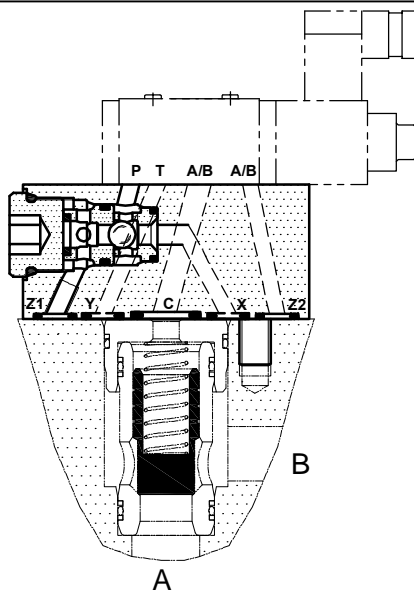
Referring to the circuits shown below , the built-in Shuttle valve in the cover selects higher of the pilot pressures brought to the cover at its ports **X** and **Z1** and admits it to the port **P** of the Directional Control Valve mounted on the cover.

In case of use of cover model **CVC*SDEA**, in de-energised condition of the Sol. Directional control valve mounted on the cover, the port **A**, which is normally connected to port **P** through the valve , gets directly connected to the control port **C** on the cartridge interface, thereby keeping the cartridge valve normally closed . Upon energizing the Solenoid, the control port **C** gets connected to tank via the Directional Control Valve and therefore the cartridge passage opens. In this configuration of the cover, port **B** of the Solenoid operated Directional Control Valve is available at port **Z2** on the cover for actuation of other cartridge/s.

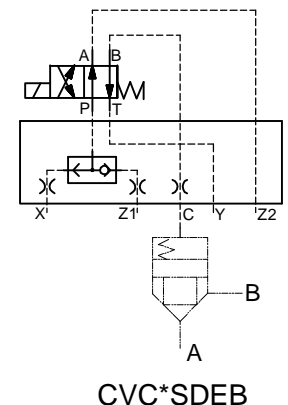
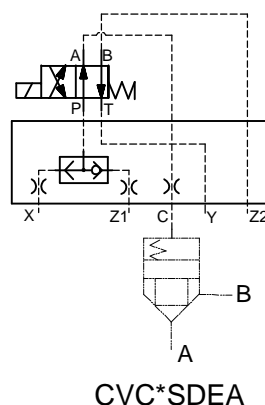
In case of use of cover model **CVC*SDEB**, in de-energised condition of the Sol. Directional control valve mounted on the cover, the port **B**, which is normally connected to port **T** through the valve, gets directly connected to the control port **C** on the cartridge interface, thereby keeping the cartridge valve normally opened. Upon energizing the Solenoid, the control port **C** gets connected to pressure via the Directional Control Valve and therefore the cartridge passage closes. In this configuration of the cover , port **A** of the Solenoid operated Directional Control Valve is available at port **Z2** on the cover for actuation of other cartridge/s.



Section



Hydraulic symbol



Technical specifications

Mounting interface	:	As per ISO 7368
Working pressure	:	350 bar.
Hydraulic medium	:	Mineral oil.
Temperature range	:	-20°C to + 80°C.
Viscosity range	:	10 cSt to 380 cSt.
Fluid cleanliness required	:	ISO 4406 20/18/15 or better.

polyhydon pvt. ltd.

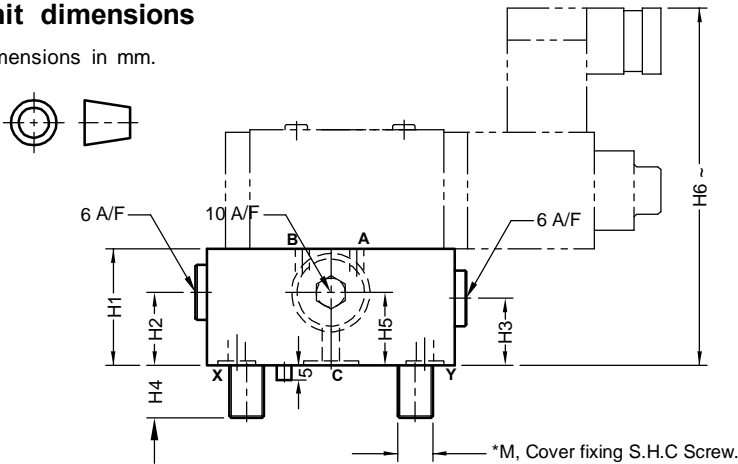
78-80, Machhe Industrial Estate,
Machhe, Belgaum - 590 014. INDIA.

Phone : +91-(0)831- 2411001
E-mail : sales@polyhydon.com
Website : www.polyhydon.com



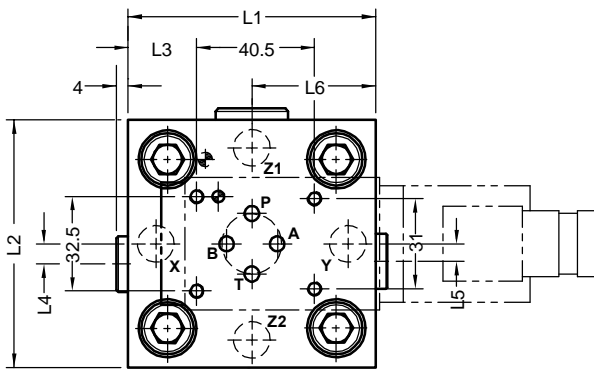
Unit dimensions

Dimensions in mm.

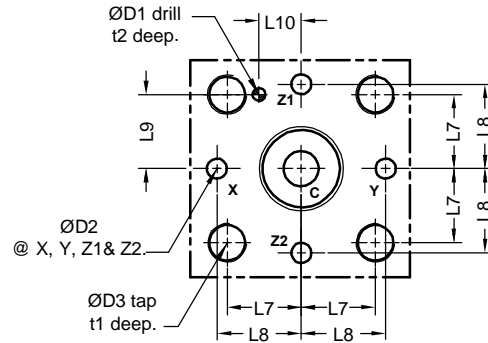


Notes:

1. Cover fixing S.H.C Screws are **OUT OF SCOPE OF SUPPLY.**
2. Mounting interface for Soln. D.C.V as per ISO 4401-03-02.

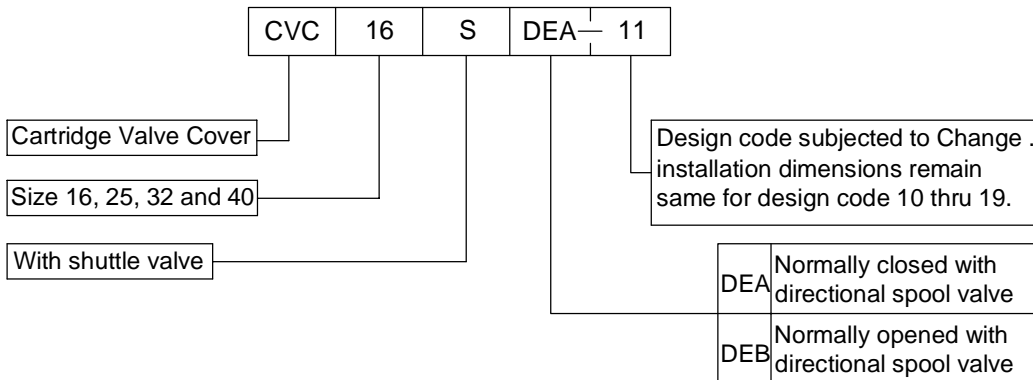


Cover mounting interface as per ISO 7368.



Size	Mass Kg. approx	L1	L2	L3	L4	L5	L6	L7	L8	L9	L10	ØD1	ØD2 max	ØD3	t1	t2	H1	H2	H3	H4	H5	H6	*M. 4 nos. Cover fixing S.H.C. Screw (Class 12.9)	Tightening Torque.
16	2.3	65	80	7	---	---	28.5	23	25	23	10.5	4	4	M8	14	10	55	---	---	12	23	160	M8 x 40 Long	39 Nm
25	2.5	85	85	23.5	7	6	42.5	29	33	29	16	6	6	M12	20	10	40	25	23	18	25	145	M12 x 45 Long	135 Nm
32	4.3	102	102	32	4	3	51	35	41	35	17	6	8	M16	26	10	50	25	33	24	25	155	M16 x 55 Long	330 Nm
40	7.5	125	125	43.5	8	7	62.5	42.5	50	42.5	23	6	10	M20	33	10	60	30	39	30	30	165	M20 x 70 Long	650 Nm

Ordering code



Note : Solenoid (refer spool type) to be ordered separately.

