

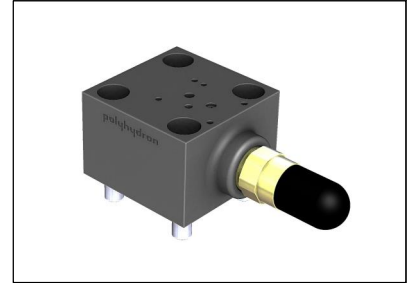


Description

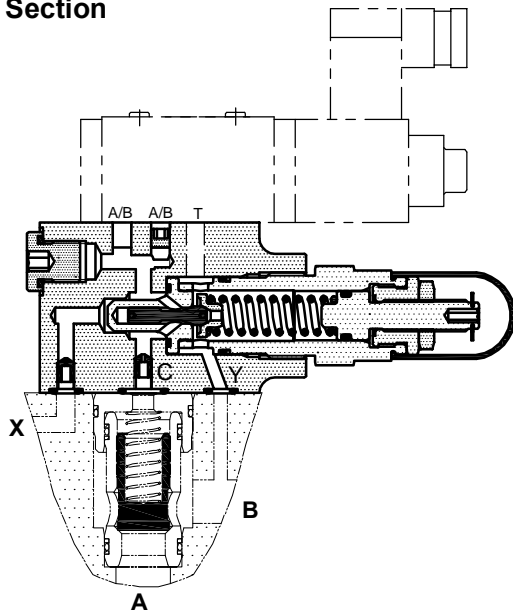
The Covers **CVC*R** are designed to hold Polyhydron make 2 port slip-in cartridge valves model **CV***** in the cavities machined as per ISO 7368, and are meant to create a pilot operated relief function, when combined with a valve having a poppet area ratio of 1:1.

The covers have options of having pressure adjustment facility by means of Set screw or a Hand knob. Clockwise rotation of the screw increases the pressure setting.

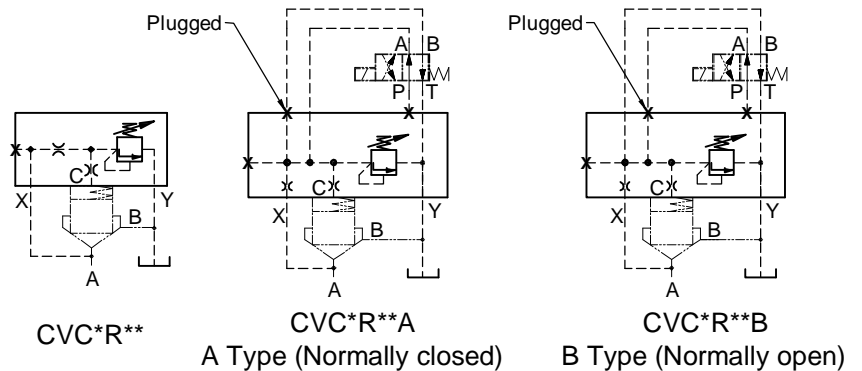
These covers are also available with an optional facility to mount on them, a Solenoid operated Directional Control Valve to give the combination an added feature of unloading a pump or regulating pressure and exhausting a cylinder side by means of an electrical signal to the Solenoid.



Section



Hydraulic symbol



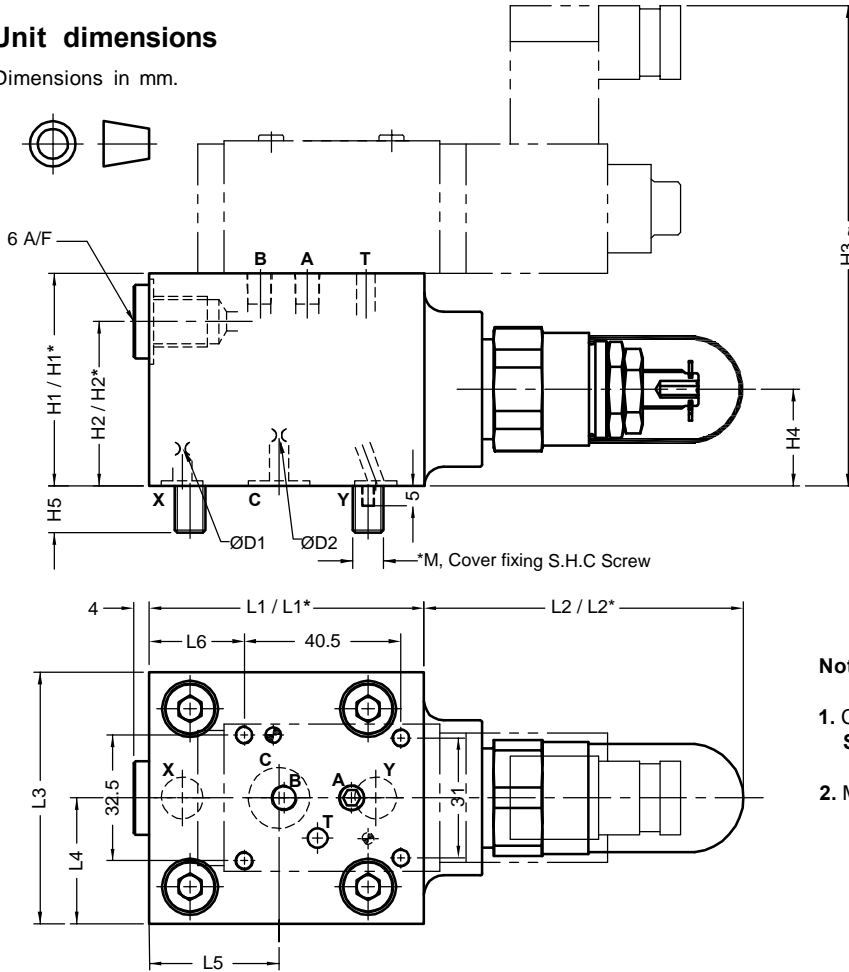
Technical specifications

- Mounting interface : As per ISO 7368
- Working pressure : 350 bar.
- Hydraulic medium : Mineral oil.
- Temperature range : -20°C to + 80°C.
- Viscosity range : 10 cSt to 380 cSt.
- Fluid cleanliness required : ISO 4406 20/18/15 or better.

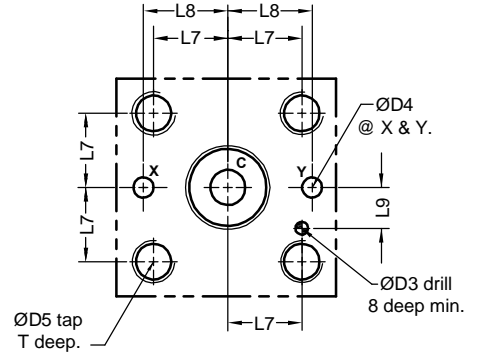


Unit dimensions

Dimensions in mm.



Cover mounting interface as per ISO 7368.



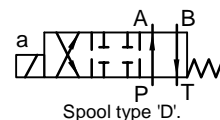
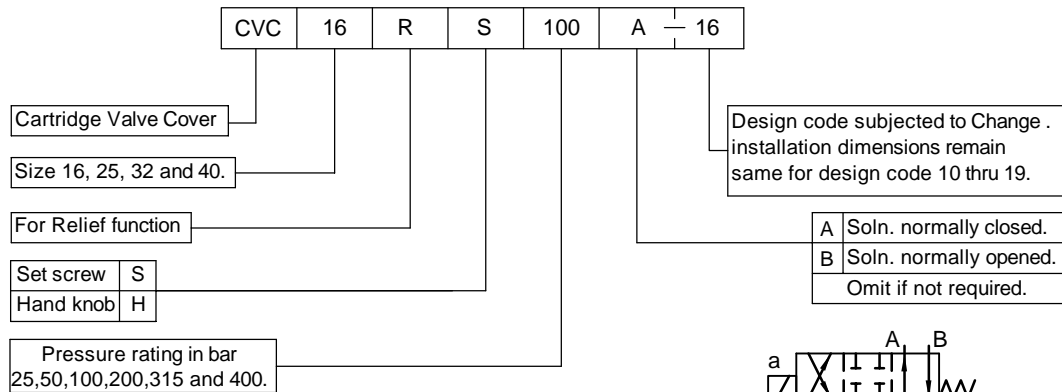
Notes:

- Cover fixing S.H.C Screws are **OUT OF SCOPE OF SUPPLY.**
- Mounting interface for Soln. D.C.V as per ISO 4401-03-02.

Size	Mass Kg. approx	L1*	L1	L2*	L2	L3	L4	L5	L6	L7	L8	L9	ØD1	ØD2	ØD3	ØD4 max	ØD5	T	H1*	H1	H2*	H2	H3	H4	H5	*M. 4 nos. Cover fixing S.H.C Screw (Class 12.9)	Tightening Torque.
16	2.5	71	67.5	82.5	86	65	32.5	33.5	24.5	23	25	10.5	0.8	1	4	4	M8	14	55	46	42.5	35	160	25	12	M8 x 40 Long	39 Nm
25	4.0	85	85	82.5	82.5	85	42.5	43.5	40	29	33	16	0.8	1	6	6	M12	20	58	50	45.5	28	163	28	18	M12 x 45 Long	135 Nm
32	5.0	102	102	67.5	67.5	102	51	51	37.5	35	41	17	1.2	1.2	6	8	M16	26	58	50	48	30	163	30	24	M16 x 55 Long	330 Nm
40	8.0	125	125	67.5	67.5	125	62.5	62.5	61	42.5	50	23	1.2	1.2	6	10	M20	33	60	60	49	49	165	30	30	M20 x 70 Long	650 Nm

Please consider heights **H1*** and **H2*** and lengths **L1*** and **L2*** for covers having mounting provision for solenoid directional control valve.

Ordering code



Note : Solenoid (refer spool type) to be ordered separately.