



A Polyhydron Group Company

PILOT OPERATED PRESSURE RELIEF VALVE PPR *06K**10

Ref. No.D 23100 A
Release : 12 / 2025

ENGINEERING - 1 of 2

Description

Pilot operated spool type relief valve cartridge.

Low pressure over-ride, due to larger flow area.

Two options for pressure adjustments,

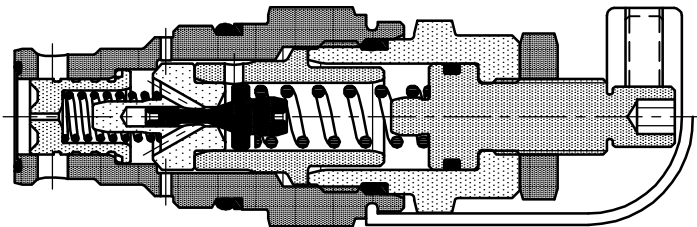
- With set screw and lock nut.
- With hand knob and lock nut.

Internal drain valve can be converted into external drain valve.

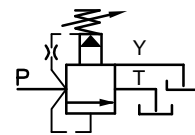


Section

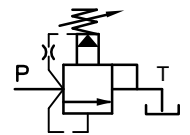
Valve : PPR



Hydraulic symbol



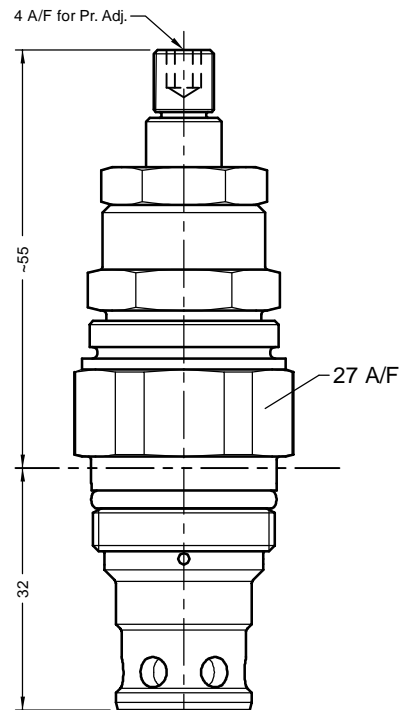
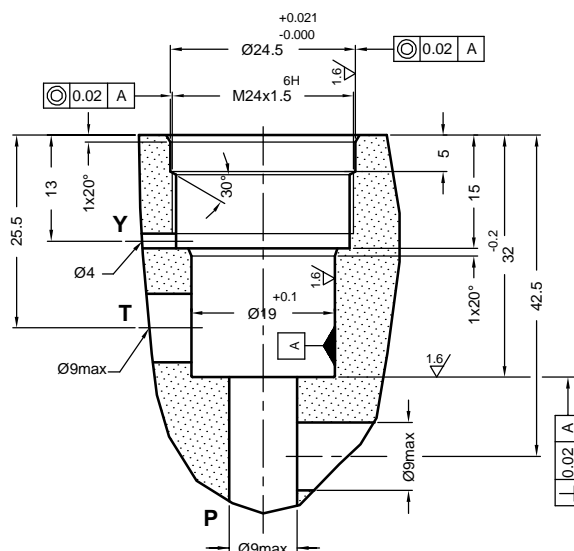
PPR 06 * Y
(External drain)



PPR 06
(Internal drain)

Unit dimensions

Dimensions in mm.



polyhydron pvt. ltd.

78-80, Machhe Industrial Estate,
Machhe, Belgaum - 590 014. INDIA.

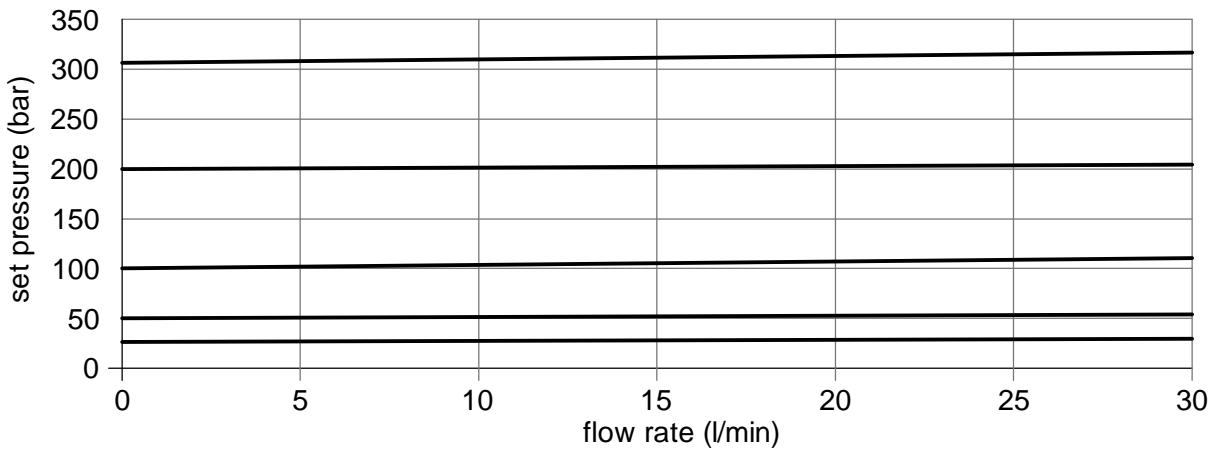
Phone : +91-(0)831- 2411001
E-mail : sales@polyhydron.com
Website : www.polyhydron.com



Technical specifications

Construction	Pilot operated spool type.
Mounting / Standard	Threaded Cartridge (Factory standard)
Mounting position	Optional.
Flow direction	From P to T.
Maximum operating pressure.....	For port P 350 bar For port T 60 bar For port Y 60 bar
Hydraulic medium	Mineral oil.
Viscosity range	10 cSt to 380 cSt
Fluid temperature range	-20°C to +80°C
Fluid cleanliness requirement	ISO 4406 20/18/15 or better.
Nominal flow handling capacity	refer performance curve.
Mass (approx)	0.2 kg.

Performance Curves for PPR06K
(pressure related to flow, with 46 cSt at 40°C)



Ordering code

