



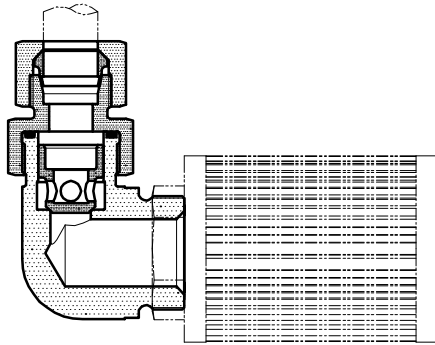
### Description

Foot valve model FT\*G\* are primarily designed to offer following advantages,  
 Three rationalized models for all sizes of Polyhydron pumps.  
 Very compact size, compared with conventional way of creating this function.  
 Ease of assembly, Saving cost and labor time.  
 Possibility of mounting an appropriate suction strainer directly on it.  
 Least number of joints.  
 Shortest and generous suction passage for least possible pressure drop.

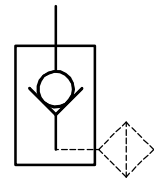
These valves are recommended , when the pumps are installed with negative suction head. Threads for the Foot valve are sized to provide approximately 3 times larger capacity of the strainer.  
 Strainer is not included in the scope of supply.



### Section



### Hydraulic symbol



### Technical specifications

Construction	:	Seat type Foot Valve with strainer mounting facility.			
Mounting style	:	Tube end for suction line and male threaded port for strainer.			
Mounting position	:	Maintain position of arrow on the valve body pointing upward in installed condition.			
Hydraulic medium	:	Mineral oil.			
Temperature range	:	-20°C to + 80°C.			
Viscosity range	:	10 cSt to 380 cSt.			
Fluid cleanliness required	:	ISO 4406 20/18/15 or better.			
Foot valve	:	Model	: FT16G08	FT20G10	FT30G12
Pump *	:	Model	: 1RC	2RC & 11RC	12RC
Strainer **	:	Model	: SC2-010	SC2-020	SC2-030
		Flow handling capacity (l/min)	: 40	80	120

\* Pump models considered are of 'Polyhydron' make. For details of Pump 1RC, 2RC, 11RC and 12RC refer datasheet no. P04892, P09046, P09206 and P09207 respectively.

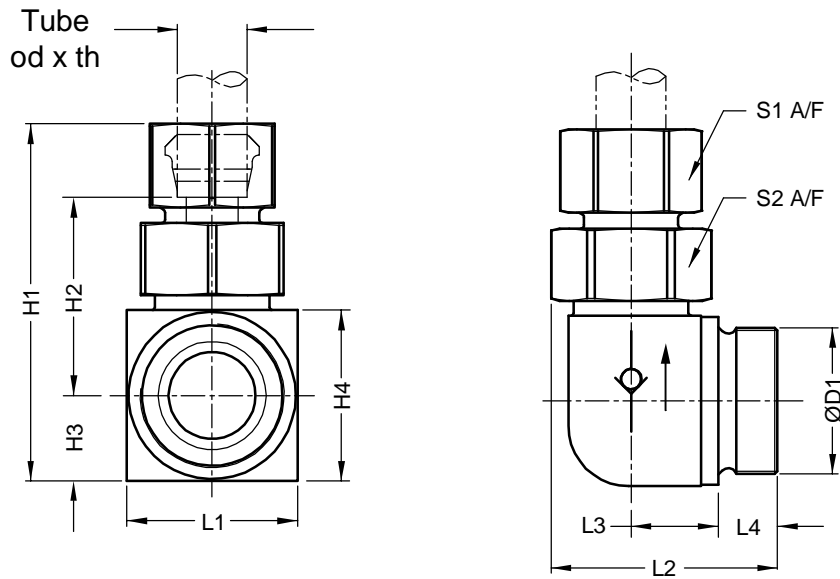
\*\* Strainer models considered are of 'Hydroline products'. Its equivalent can also be used.

Caution : Though the Strainers do provide certain amount of protection to the system against dirt, swarf, paint flakes etc. Clogging of these strainers may cavitation problem and cause inadequate flow and may damage the pump.



Unit dimensions

Dimensions in mm.



Ordering code	Tube od x th	ØD1	L1	L2	L3	L4	H1	H2	H3	H4	S1 A/F	S2 A/F	Mass Kg appr.
<b>FT16G08</b>	16 x 2	G1	41	52	20	14	84	45	20	40	30	32	0.7
<b>FT20G10</b>	20 x 2	G1 1/4	49	65	25	17	102.5	55	24.5	49	36	41	1.2
<b>FT30G12</b>	30 x 3	G1 1/2	55	85.5	36	16	129.5	75	27.5	63	50	60	2.3

All rights reserved.  
Subject to change without prior notice.  
Due to continuous improvement in the design of the product, the actual product supplied may look different than shown above.  
For critical applications, please ask for certified installation drawing.